

Wireless Radio Option for MS2500E/MS2500L



The integrated wireless radio and I/O module eliminates cable and conduit used by the standard 4-20 mA current loop version of the MS2500E/MS2500L, making it better equipped for harsh industrial environments. The wireless radio utilizes 900-928 MHz ISM band spread spectrum, frequency-hopping technology to guarantee a license free, interference free link between remote devices and the control room.

Costly cable and conduit runs on new projects, or retrofitting of existing systems, are eliminated and replaced with a maintenance free, reliable and versatile wireless solution.

The set consists of an outdoor transmitter, receiver, and two antennas.

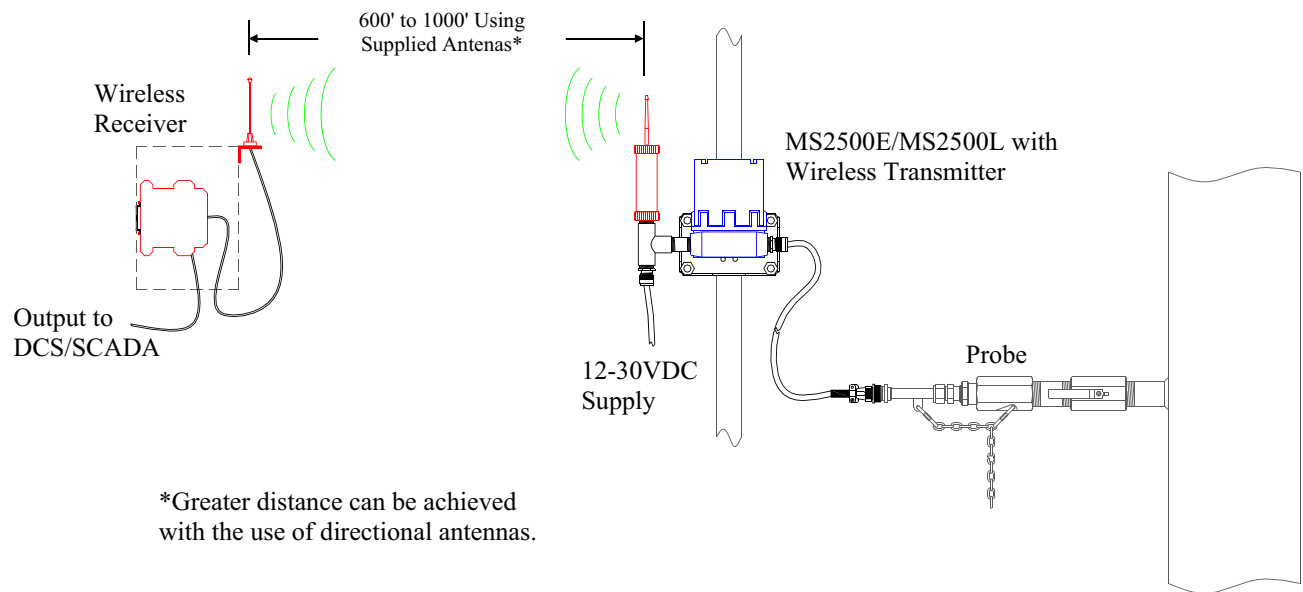
Features of the Wireless Radio

- Interference free, frequency-hopping, spread spectrum technology
- License free 900-928 MHz band
- Easy to use, wire in/wire out, no setup or programming
- 180-300 m (600 to 1000 ft.) range in plant without line of sight with included antennas
- Range with *optional* omni-directional antenna --- receiver and transmitter = 6-8 km (4-5 mi.)

Electrical Data

Power Requirements: 12 to 35 VDC

Intrinsic Safety: Class I, Division 2 approved for hazardous area



*Greater distance can be achieved with the use of directional antennas.

Metal Samples Corrosion Monitoring Systems

A Division of Alabama Specialty Products, Inc.

152 Metal Samples Rd., Munford, AL 36268 Phone: (256) 358-4202 Fax: (256) 358-4515

E-mail: mcs@alspi.com Internet: www.metalsamples.com

Houston Office: 6327 Teal Mist Lane, Fulshear, TX 77441 Phone: (832) 451-6825