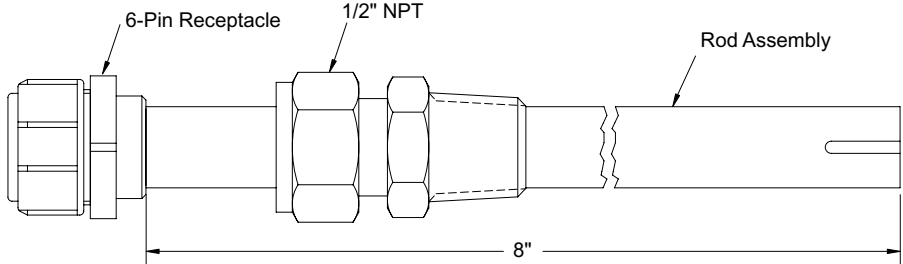


# Probe Adapters

## Probe to Instrument Connection

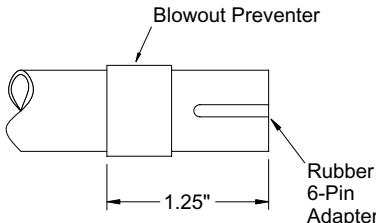
### Adjustable 6-Pin Male to 6-Pin Female (Standard)



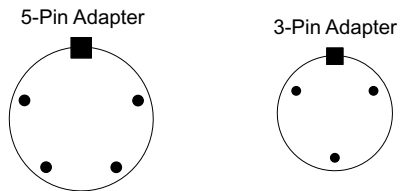
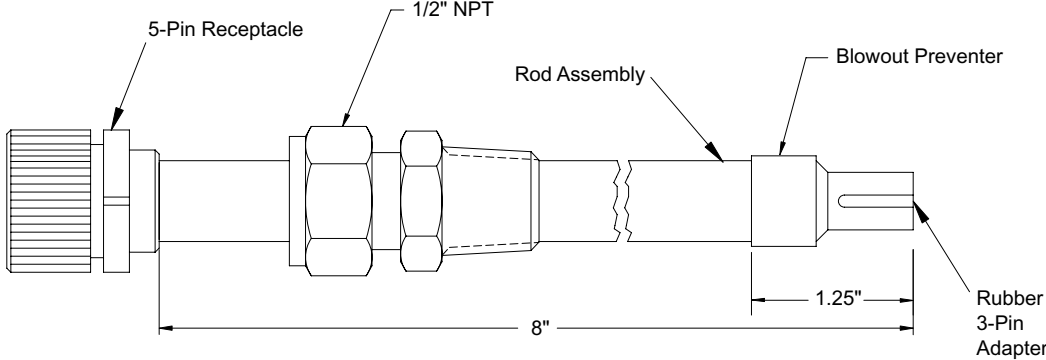
(Small)



(w/Blowout)



### Adjustable 5-Pin Male to 3-Pin Female (Small w/Blowout)



**Metal Samples Corrosion Monitoring Systems**

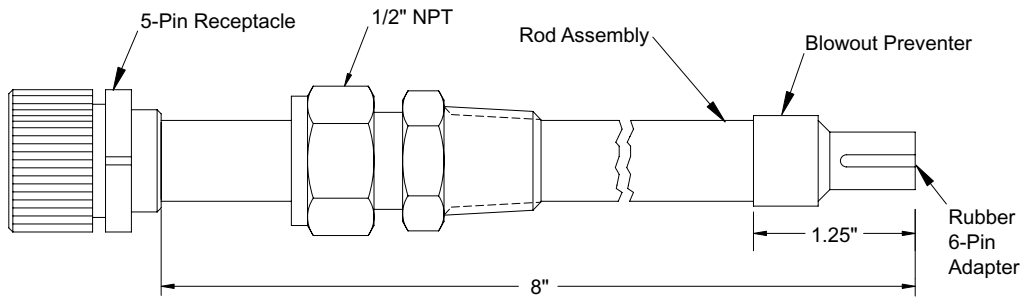
*A Division of Alabama Specialty Products, Inc.*

152 Metal Samples Rd., Munford, AL 36268 Phone: (256) 358-4202 Fax: (256) 358-4515

E-mail: [mcs@alspi.com](mailto:mcs@alspi.com) Internet: [www.metalsamples.com](http://www.metalsamples.com)

Houston Office: 6327 Teal Mist Lane, Fulshear, TX 77441 Phone: (832) 451-6825

### Adjustable 5-Pin Male to 6-Pin Female (Small w/Blowout)



### Probe Adapter Ordering Information

Model				
HA7001	8" Probe Extension Adapter			
	<b>Rod Type</b>			
	0	Adjustable		
	1	Rod Only		
	<b>Connector Type</b>			
	0	6-Pin Male to 6-Pin Female		
	1	6-Pin Male to 6-Pin Female (Small)		
2	6-Pin Male to 6-Pin Female with Blowout			
3	5-Pin Male to 3-Pin Female (Small) with Blowout			
6	5-Pin Male to 6-Pin Female (Small) with Blowout			
<b>Probe Alloy</b>				
158	316 SS			
<b>HA7001</b>	<b>0</b>	<b>2</b>	<b>158</b>	<b>Example of Adapter Ordering #</b>