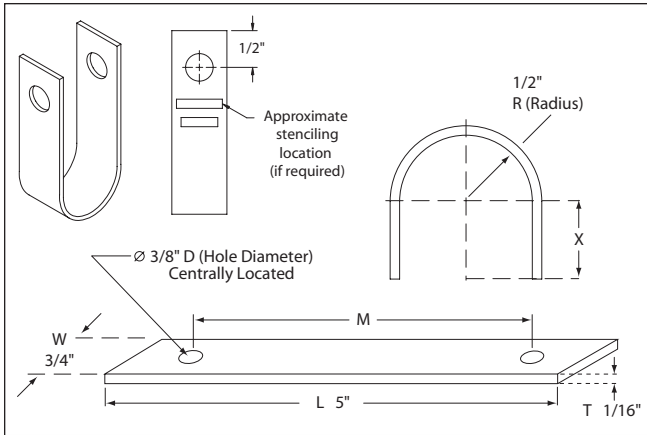


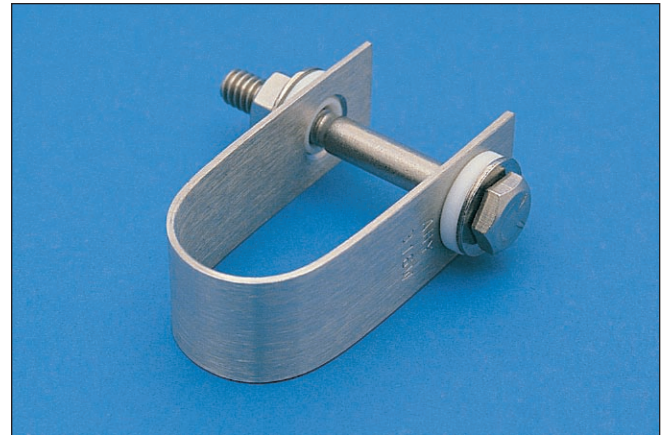
Stressed Coupons

Stress corrosion cracking occurs when tensile stress combines with a corrosive environment to attack a material. Testing for this type of corrosion is critical in storage tanks, pressure piping, and vessels commonly used in chemical processing plants and petrochemical refineries. Metal Samples can make your stressed samples in accordance with all ASTM standards including G30, G38, G39, and G58 or to your custom specifications.

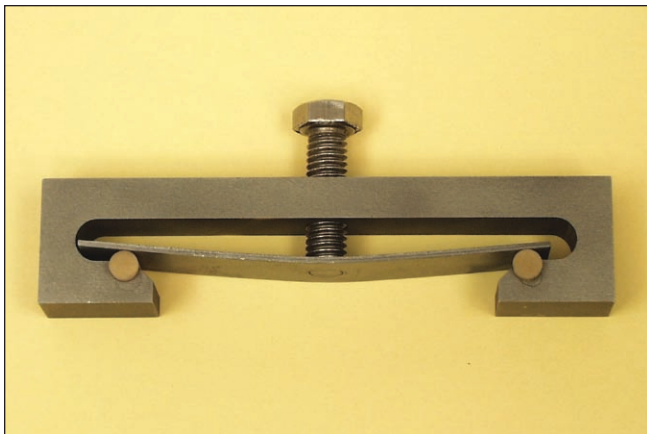
**P/N CS502
ASTM G30**



**P/N CS502W (Welded)
ASTM G58**



**P/N TF2445
ASTM G39**



**P/N TF2404 Stressing Frame
For use with P/N TF2445**



**P/N CO303
Twist Specimen**



**P/N CS500
Tear Drop**



**P/N CS513
"C" Ring - ASTM G38**

