

Service Valve

Three ball-type service valves are available for use with Metal Samples retrieval tools: standard, low and high temperature. The female threads on this valve are industry-standard ACME threads and may be used with any Metal Samples high pressure access fitting as well as any other 2" access fitting.

The valves have a bleed valve located on the non-process side of the ball. This bleed valve may be used to drain the retrieval tool, sample process, or be used as a path for back-pressuring. All valves are NACE MR-0175 compliant for use in sour service, factory pressure tested for a working pressure of 3600 psi* W.O.G., and meet API6FA and API607 fire safe requirements.

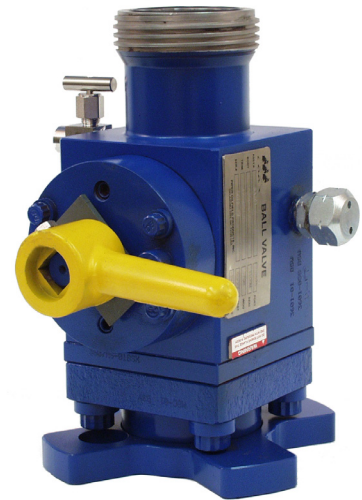


Figure 1. Service Valve

The service valve is a portable valve that is used in conjunction with a retrieval tool. The service valve is threaded onto an access fitting in preparation for retrieving a plug. Next, the retrieval tool is attached to the service valve. System pressure is then equalized in the retrieval tool by unseating the plug. Occasionally deposit buildup in access fitting bodies does not allow for pressure equalization through the plug. If this occurs, the retrieval tool can be back pressured by use of a back-pressure kit (P/N - HA104000). Once pressure equalization has occurred, the plug is removed and the valve is shut. Finally, the retrieval tool is removed from the valve allowing access to the plug and its accessory. A Blanking Cap/Plug Assembly (P/N - PS5612) may be installed on the valve as an additional safety measure, if required.

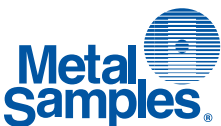
Service valves are supplied with a durable lightweight field service case, extension bar, tool kit, and one O-ring seal kit. Additional accessory items are listed below.

Model

HA101250 (Standard Temperature Valve)	200°F to 0°F (93°C to -18°C)
HA101251 (Low Temperature Valve)	200°F to -50°F (93°C to -46°C)
HA101252 (High Temperature Valve)	450°F to 0°F (232°C to -18°C)

Physical Data

Valve Weight: 45 lbs. Case Weight: 25 lbs. Total Weight: 70 lbs.
Case Dimensions: 12 3/4" x 13 3/4" x 20 1/4"



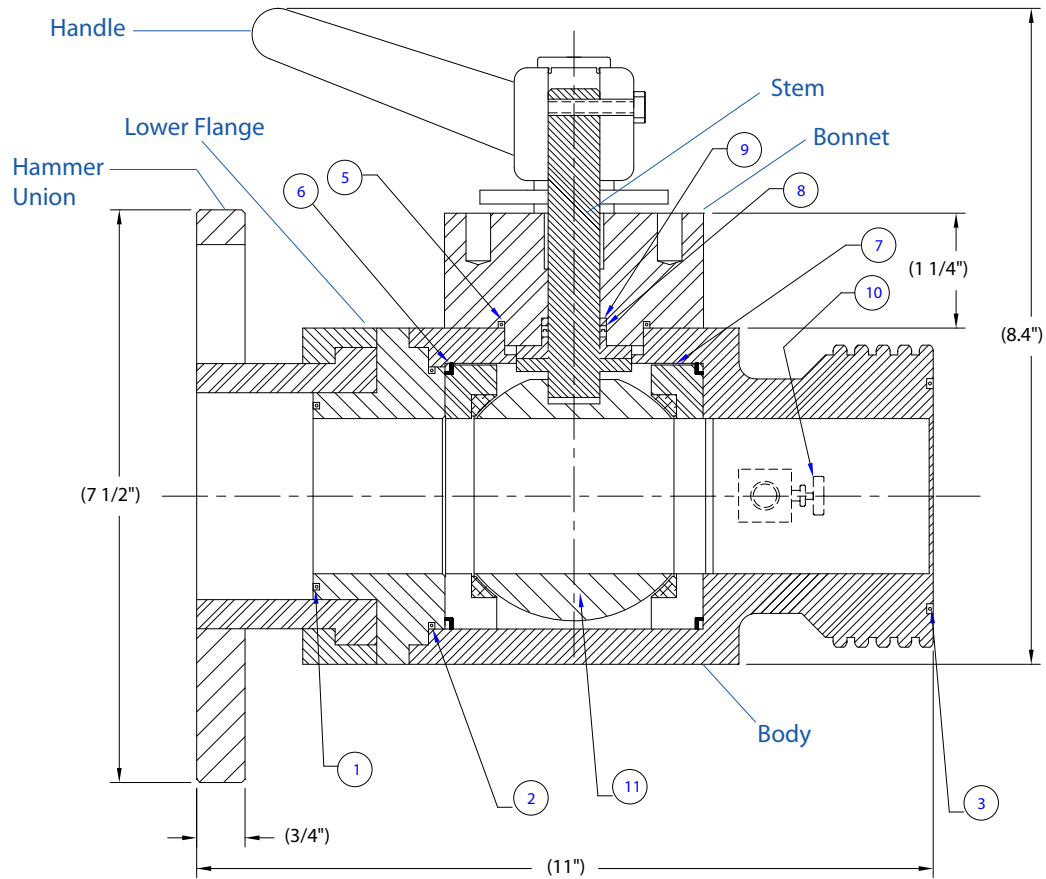
Metal Samples Company

A Division of Alabama Specialty Products, Inc.

152 Metal Samples Rd., Munford, AL 36268 Phone: (256) 358-4202 Fax: (256) 358-4515

E-mail: msc@alspi.com Internet: www.metalsamples.com

Houston Office: 6327 Teal Mist Lane, Fulshear, TX 77441 Phone: (832) 451-6825



<u>Item</u>	<u>Low Temp Part No.</u>	<u>Standard Part No.</u>	<u>High Temp Part No.</u>	<u>Description</u>	<u>Low Temp Material</u>	<u>Standard Material</u>	<u>High Temp Material</u>	<u>Qty</u>
1*	HA700604370	HA700604834	HA700604834	Viton O-Ring	Buna-N	Viton 70	Viton 70	1
2*	---	---	---	Viton O-Ring	Buna-N	Viton	Viton	1
3*	PR6303370	PR6303834	PR6303834	Viton O-Ring	Buna-N	Viton 70	Viton 70	1
4*	---	---	PR6720A50	Seat Seal	Celcon	Celcon	PEEK	2
5*	---	---	---	Viton O-Ring	Buna-N	Viton	Viton	1
6*	---	---	---	"L" Seal	Buna-N	Viton	Viton	2
7**	---	---	---	Carrier	4130	4130	4130	2
8*	---	---	---	Stem Seal	Polymyte/ Buna-N	Polymyte/ Viton	Polymyte/ Viton	1
9*	---	---	---	Ring, Back-Up	Teflon	Teflon	Teflon	1
10	---	PR6359158	---	316 6000 PSI Bleed Valve	316	316	316	1
11**	---	---	---	Ball	17-4 PH SS	17-4 PH SS	17-4 PH SS	1

* Parts included in Seal Kit / Repair Kit.

** Parts included in Repair Kit.

1. Seal Kit - P/N KR1009834 (Standard Temp)

2. Repair Kit - P/N KR1010 (Standard Temp)