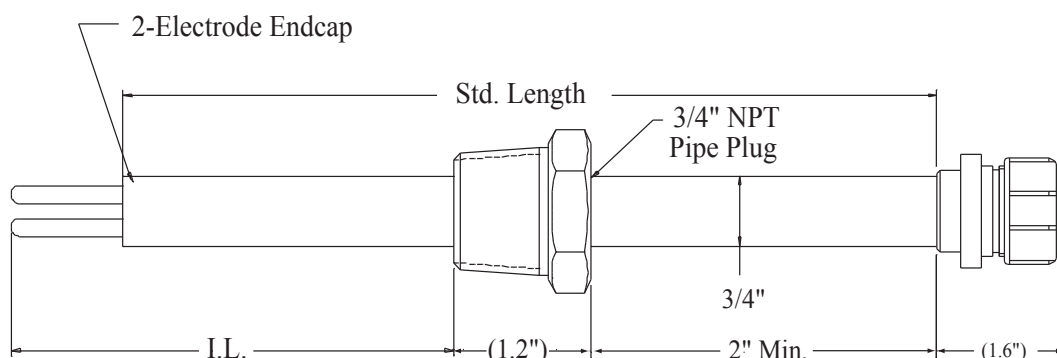


# Model LP2000

## Linear Polarization Resistance Probe Fixed Length with NPT Pipe Plug & 2-Electrode Endcap



**Model LP2000** is a fixed-length, linear polarization resistance probe with an NPT pipe plug. The probe requires process isolation or process shutdown to install and a threaded pipe fitting to mount. The probe assembly consists of an insertion rod with a two-electrode endcap, a hermetically sealed connector, and an NPT pipe plug which are all welded in place. The insertion length (I.L.) is calculated to the end of the electrode and can be specified by the customer. For standard probes, the maximum insertion length is given in the chart below. Electrodes are ordered separately. Several standard electrodes are available to meet your specific needs.

### Specifications:

**Probe Body** - 316 Stainless Steel or C276

**Endcap Seal** - Glass

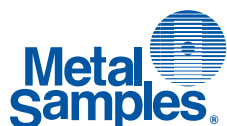
**Fill Material** - Epoxy

**Temperature Rating** - 500°F / 260°C

**Pressure Rating** - 3000 PSI / 204 Bar

**Mounting** - 3/4" or 1" NPT Pipe Plug

Std. Length	IL (max)
6"	4.05"
8"	6.05"
12"	10.05"
18"	16.05"



### Metal Samples Company

*A Division of Alabama Specialty Products, Inc.*

152 Metal Samples Rd., Munford, AL 36268 Phone: (256) 358-4202 Fax: (256) 358-4515

E-mail: [msc@alspi.com](mailto:msc@alspi.com) Internet: [www.metalsamples.com](http://www.metalsamples.com)

Houston Office: 6327 Teal Mist Lane, Fulshear, TX 77441 Phone: (832) 451-6825

## LP2000 Ordering Information

Model								
LP2	Linear Polarization Fixed Length Pipe Plug Probe							
	<b>Pipe Plug Size</b>							
	2	3/4" NPT						
	3	1" NPT						
	<b>Probe Body Material</b>							
	22	316						
	44	C276						
	<b>LP Electrode Options</b>							
	20	Two-electrode integral type						
	<b>Seal Type</b>							
	1	Glass						
	<b>Length</b>							
	06	4.05" max. insertion length						
	08	6.05" max. insertion length						
12	10.05" max. insertion length							
18	16.05" max. insertion length							
<b>Options</b>								
000	None							
<b>Insertion Length (I.L.)</b>								
-LLLL	Length in inches, stated in 2 decimal place format. Round calculated length down to the nearest 1/8". (Ex: 5 1/8" = 0512)							
<b>LP2</b>	<b>2</b>	<b>22</b>	<b>20</b>	<b>1</b>	<b>08</b>	<b>000</b>	<b>-0512</b>	<b>Example of Probe Ordering #</b>

**Electrode Part Number - EL400XXX2800000** (XXX - use Code in Alloy Chart)  
 LPR probe electrodes are replaceable and sold separately. See [Electrodes](#).

Alloy Chart		
Code	Description	UNS #
375	C1010	G10100
419	CDA110	C11000
434	CDA443	C44300
159	316L S.S.	S31603

For alloys, sizes, or other special requirements not listed, contact our sales department.  
 Note: Not all alloys are available with all element types and seals.