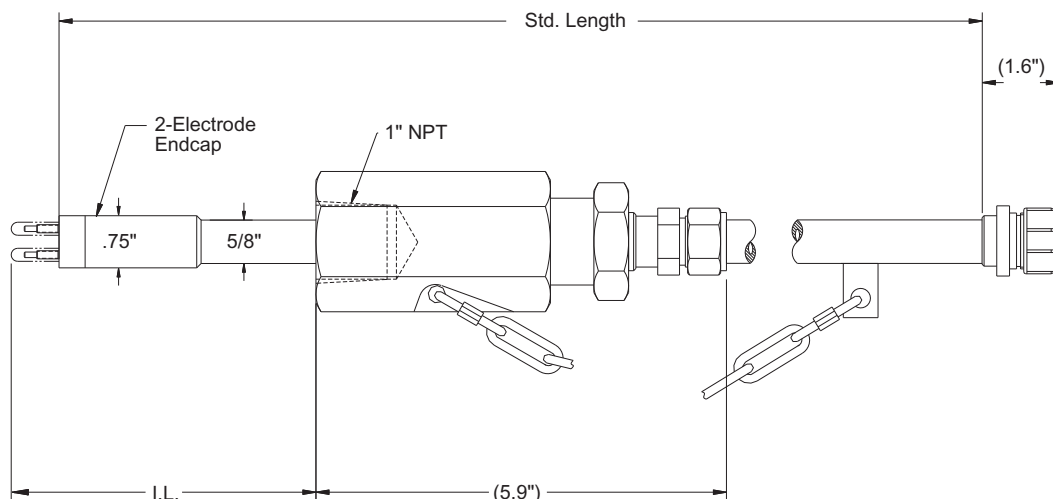


Model LP4000

Linear Polarization Resistance Probe Retractable with Packing Gland and 2-Electrode Endcap



Model LP4000 is a retractable, linear polarization resistance probe commonly used in field and plant applications. A specially designed packing gland is used with the probe for insertion into or retraction from a pressurized system without a process shutdown. The packing gland is designed to mount easily on a 1" piping system, but it can be modified for your specific mounting requirements. The probe assembly consists of a packing gland, an insertion rod with a hermetically sealed two-electrode endcap, and a six-pin connector welded in place. A safety chain is also provided to prevent blowout. Standard packing material in the packing gland is Teflon[®], however, Grafoil[®] packing can be provided for high temperature applications. The insertion length (I.L.) is calculated to the end of the electrode and can be specified by the customer. For standard probes, the maximum insertion length is given in the chart below. Electrodes for the probe can be ordered separately. Several standard electrodes and probe lengths are available to meet your specific needs.

Specifications:

Probe Body - 316 Stainless Steel or C276

Endcap Seal - Glass

Fill Material - Epoxy

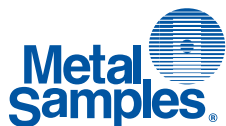
Temperature Rating - 500°F / 260°C - Teflon[®]
Grafoil[®] available upon request

Pressure Rating - 2000 PSI / 138 Bar

Mounting - 1" Full Port Valve (Min.)

Std. Length	IL (max)
24"	17.53"
30"	23.53"
36"	29.53"
42"	35.53"

The [Easy Tool](#) is required for probe insertion or retraction in systems with pressure over 150 pounds.



Metal Samples Company

A Division of Alabama Specialty Products, Inc.

152 Metal Samples Rd., Munford, AL 36268 Phone: (256) 358-4202 Fax: (256) 358-4515

E-mail: msc@alspi.com Internet: www.metalsamples.com

Houston Office: 6327 Teal Mist Lane, Fulshear, TX 77441 Phone: (832) 451-6825

LP4000 Ordering Information

Model						
LP45	Linear Polarization 1" Female NPT Probe, Packing Gland with Teflon®					
LP75	Linear Polarization 1" Female NPT Probe, Packing Gland with Grafoil®					
Probe Body Material						
22	316					
44	C276					
LP Electrode Options						
20	Two-electrode integral type					
Seal Type						
1	Glass					
Length						
24	17.53" max. insertion length					
30	23.53" max. insertion length					
36	29.53" max. insertion length					
42	35.53" max. insertion length					
Options						
000	None					
LP45	22	20	1	24	000	Example of Probe Ordering #

Electrode Part Number - EL400XXX2800000 (XXX - use Code in Alloy Chart)

LPR probe electrodes are replaceable and sold separately. See [Electrodes](#).

Alloy Chart		
Code	Description	UNS #
375	C1010	G10100
419	CDA110	C11000
434	CDA443	C44300
159	316L S.S.	S31603

For alloys, sizes, or other special requirements not listed, contact our sales department.

Note: Not all alloys are available with all element types and seals.