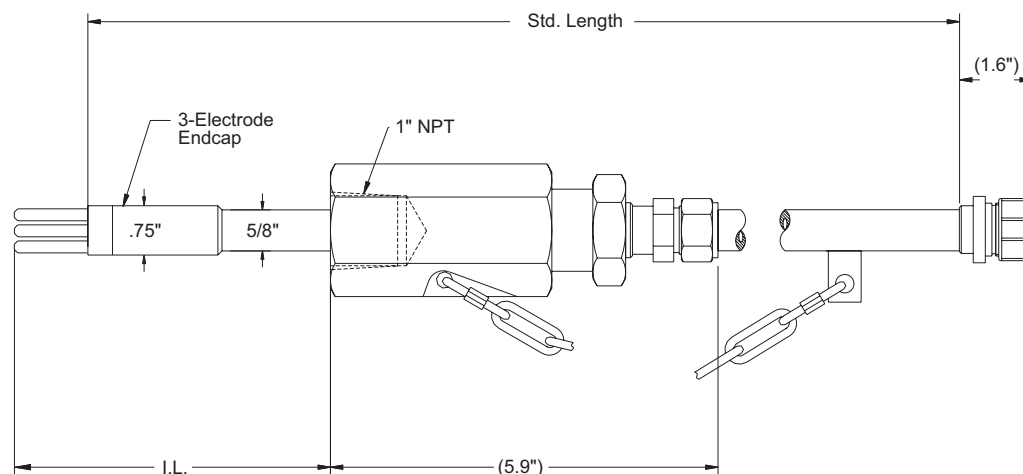


Model LP4300

CorrTran Style 3-Electrode LPR Probe Retractable with Packing Gland



Model LP4300 is a retractable, linear polarization resistance probe specifically designed for use with CorrTran style instruments. The probe is designed to mount easily on a 1" piping system, but it can be modified for your specific mounting requirements. The probe assembly consists of a packing gland, an insertion rod with a hermetically sealed three-electrode endcap, and a hermetically sealed six-pin connector. The retractable design allows the probe to be installed into and removed from a pressurized system without a process shutdown^{1,2} and it allows the insertion length (I.L.) to be adjusted by the installer. The Metal Samples packing system features a built-in mechanical stop to secure the rod in place during service. The system also utilizes an adjustable safety chain system which serves as an additional mechanical stop and eliminates the need for cumbersome safety frames in most cases. A variety of probe lengths are available to meet your specific needs (see Ordering Information). Electrodes are available in a wide variety of alloys and are sold separately (see Optional Accessories).

Specifications:

Probe Body - 316 Stainless Steel or C276

Endcap Seal - Glass

Fill Material - Epoxy

Packing Material - Teflon® (Standard) or Grafoil

Temperature Rating - 500°F / 260°C

Pressure Rating - 2000 PSI / 138 Bar²

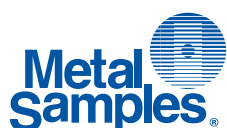
Mounting - 1" Female NPT Standard³

Std. Length	IL (max)
24"	17.53"
30"	23.53"
36"	29.53"
42"	35.53"

¹ Requires a 1" or larger full-port valve (sold separately) for operation on pressurized systems.

² Requires the Metal Samples Easy Tool (sold separately) for use at pressures over 150 psi (10.5 bar).

³ Alternate mounting types and sizes available. Contact Metal Samples for details.



Metal Samples Company

A Division of Alabama Specialty Products, Inc.

152 Metal Samples Rd., Munford, AL 36268 Phone: (256) 358-4202 Fax: (256) 358-4515

E-mail: msc@alspi.com Internet: www.metalsamples.com

Houston Office: 6327 Teal Mist Lane, Fulshear, TX 77441 Phone: (832) 451-6825

LP4300 Ordering Information

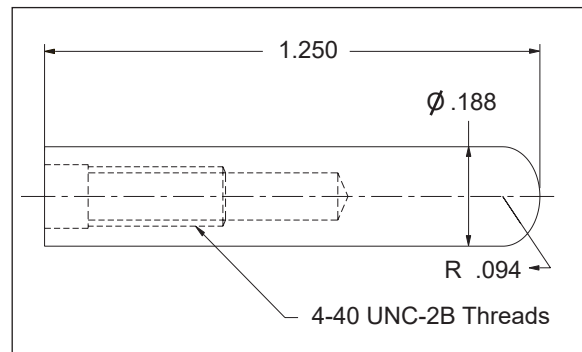
Model						
LP45	Linear Polarization 1" Female NPT Probe, Packing Gland with Teflon®					
LP75	Linear Polarization 1" Female NPT Probe, Packing Gland with Grafoil					
Probe Body Material						
22	316					
44	C276					
LP Electrode Options						
H0		Three-electrode CorrTran Style				
Seal Type						
1		Glass				
Length ⁴						
24		17.53" max. insertion length				
30		23.53" max. insertion length				
36		29.53" max. insertion length				
42		35.53" max. insertion length				
Options						
000		None				
LP45	22	H0	1	24	000	Example of Probe Ordering #

⁴ Longer lengths available upon request (sold in 6" increments).

Optional Accessories

Electrodes

The LP4300 uses EL525 style electrodes which are available in almost any alloy. They are sold in sets of three and include Viton insulators standard. Ordering details are shown below. Contact Metal Samples for alloys and insulator materials not listed here.



EL525

Electrode Part Number			
EL525	XXX	28000	XX
↓		↓	
Alloy		Insulator Material	
C1010 Carbon Steel (UNS # G10100)	375	00	Viton® (Standard)
CDA110 Copper (UNS # C11000)	419	10	Teflon®
CDA443 Brass (UNS # C44300)	434	60	Kalrez® 4079
316L Stainless Steel (UNS # S31603)	159	70	Kalrez® 6375

Part # SR2159ER36 - 36" Easy Tool Retracting System

Teflon® and Viton® are registered trademarks of Chemours. Kalrez® is a registered trademark of DuPont.