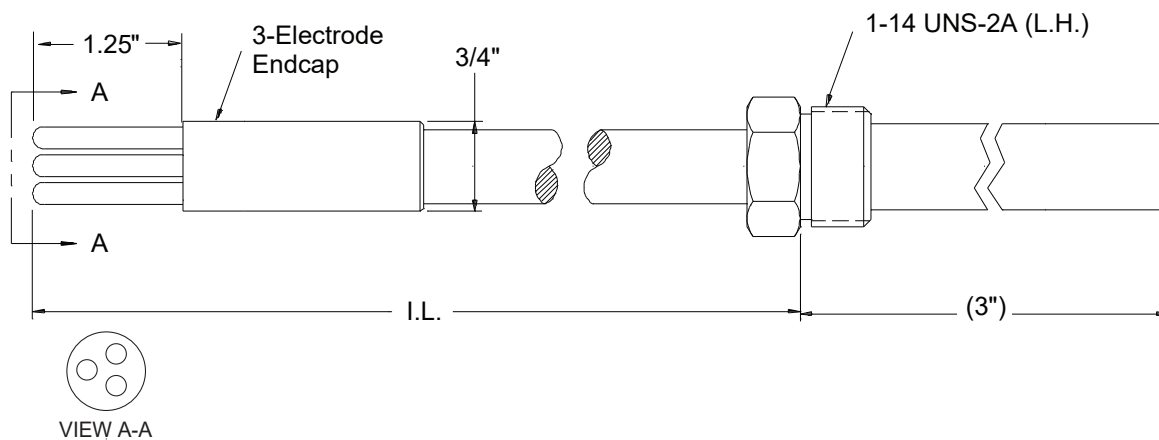


Model LP7300

CorrTran Style 3-Electrode LPR Probe Retrievable for High Pressure (HP™ and MH™) Access Systems



Model LP7300 is a fixed-length, linear polarization resistance probe for use with HP™ and MH™ high pressure access systems and is specifically designed for use with CorrTran style instruments. The probe assembly consists of an insertion rod with a hermetically sealed three-electrode endcap, a hollow plug nut, and a standard six-pin connector, which are all welded in place. The hollow plug nut on the probe screws into the hollow plug of the access system. This allows the probe to be installed in the process, using a retrieval tool and service valve, without process shutdown. The insertion length (I.L.) can range from 3.000" up to any length specified by the customer in 1/8" increments, using the formula below. (This includes 1.25" for the length of the electrode.)

$$I.L. = PD + WT + 1.75''$$

(where PD = penetration depth, WT = wall thickness)

Note: Formula valid for access fitting heights of 5.25" (HP) and 5.5" (MH).

Electrodes are available in a wide variety of alloys and are sold separately (see Optional Accessories). Probe adaptors are also available and must be ordered separately.

Specifications:

Probe Body - 316 Stainless Steel or C276

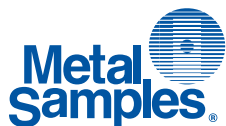
Endcap Seal - Glass

Fill Material - Epoxy

Temperature Rating - 500°F / 260°C

Pressure Rating - 3600 PSI / 245 Bar

Mounting - High Pressure (HP™ or MH™) Access System with Hollow Plug



Metal Samples Company

A Division of Alabama Specialty Products, Inc.

152 Metal Samples Rd., Munford, AL 36268 Phone: (256) 358-4202 Fax: (256) 358-4515

E-mail: msc@alspi.com Internet: www.metalsamples.com

Houston Office: 6327 Teal Mist Lane, Fulshear, TX 77441 Phone: (832) 451-6825

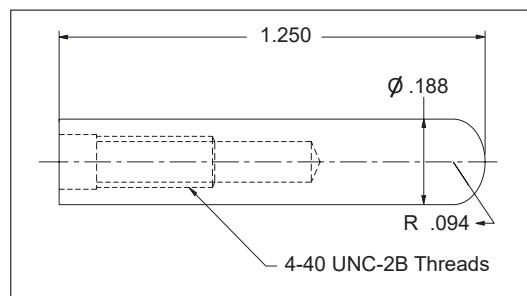
LP7300 Ordering Information

Model						
HL	Linear Polarization Three-Electrode Probe for High Pressure Access System					
Mounting Material						
22	316					
32	C276					
LP Electrode Options						
H	Three-electrode CorrTran style					
Seal Type						
0	Glass					
1	Epoxy					
Length (Round calculated length to the nearest 1/8")						
XXXX	Length in inches, stated in 2 decimal place format (Ex: 6 1/8" = 0612)					
Options						
000	None					
HL	22	H	0	0612	000	Example of Probe Ordering #

Optional Accessories

Electrodes

The LP7300 uses EL525 style electrodes which are available in almost any alloy. They are sold in sets of three and include Viton insulators standard. Ordering details are shown below. Contact Metal Samples for alloys and insulator materials not listed here.



EL525

Electrode Part Number			
EL525	XXX	28000	XX

Alloy	
C1010 Carbon Steel (UNS # G10100)	375
CDA110 Copper (UNS # C11000)	419
CDA443 Brass (UNS # C44300)	434
316L Stainless Steel (UNS # S31603)	159

Insulator Material	
00	Viton® (Standard)
10	Teflon®
60	Kalrez® 4079
70	Kalrez® 6375