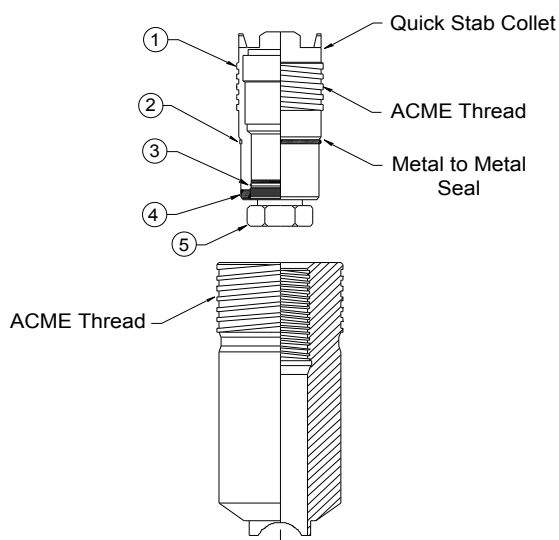


MH™ Plug Assemblies

for High Pressure Access Systems

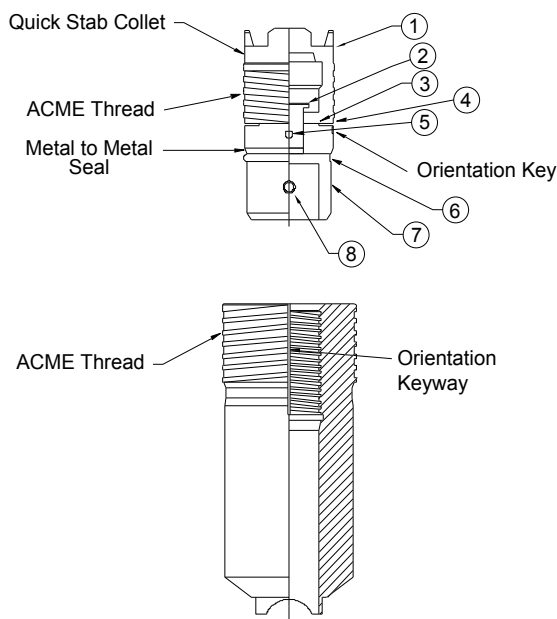
The MH plug assemblies incorporate the following innovative design features which distinguish them from the HP plug assemblies and plug assemblies available from other major manufacturers.

- A quick stab collet to facilitate easy attachment to the retrieval tool during removal and installation of the plug.
- A coarse ACME plug thread to minimize the risk of galling or plug fouling.
- A keyway feature to permit reproducible accurate orientation of installed hardware, coupon equipment, and injection nozzles.
- A metal-to-metal back-up seal to minimize leakage, even if the access fitting assembly is subjected to high temperatures.



**MH Hollow Plug Assembly
HA700953158**

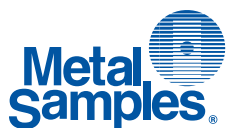
Item	Description	Part No.	Material
1	Hollow Plug Body	HA700303158	316 SS
2	O-Ring	PR6280834	Viton®
3	High Pressure Probe Packing	HA700277785	25% GF Teflon®
4	Set Screw	09158E1032-ST0187	316 SS
5	Bore Seal Nut	HA700311158	316 SS



**MH Solid Plug Assembly
HA700645158**

Item	Description	Part No.	Material
1	Drive Screw	HA700007159	316 SS
2	Retainer Pin	PR6366159	316 SS
3	Thrust Washer	PR6367783	Teflon®
4	Wave Washer	PR6370111	SS
5	Spirolox Pin	PR6371138	SS
6	O-Ring	PR6280834	Viton®
7	Solid Plug Mandrel	HA700008159	316 SS
8	Set Screw	09158E3716-CP0750	316 SS

Teflon® is a registered trademark of DuPont.
Viton® is a registered trademark of DuPont Dow Elastomers.



Metal Samples Company

A Division of Alabama Specialty Products, Inc.

152 Metal Samples Rd., Munford, AL 36268 Phone: (256) 358-4202 Fax: (256) 358-4515

E-mail: msc@alspi.com Internet: www.metalsamples.com

Houston Office: 6327 Teal Mist Lane, Fulshear, TX 77441 Phone: (832) 451-6825